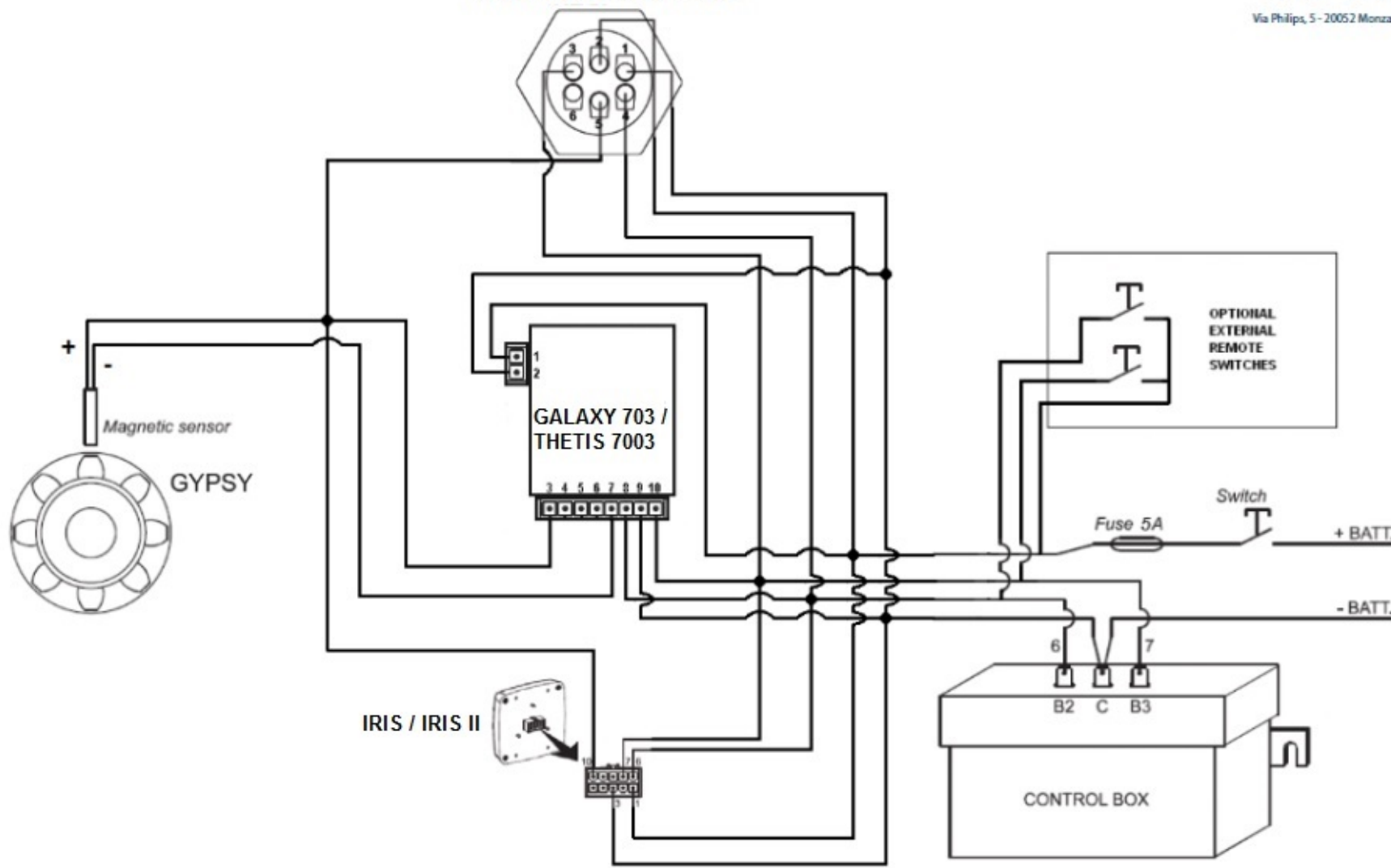


GALAXY 503 / THETIS 5003



503	PIN	SIGNAL
	1	- battery
	2	+ battery
	3	DOWN command
	4	UP command
	5	Magnetic sensor +
703	PIN	SIGNAL
	1	+ battery
	2	- battery
	3	Magnetic sensor +
	7	Magnetic sensor -
	8	UP command
	9	C CONTROL BOX
	10	DOWN command
IRIS	PIN	SIGNAL
	1	+ battery
	3	- battery
	6	UP command
	7	DOWN command
	10	Magnetic sensor +